



ZENTECH

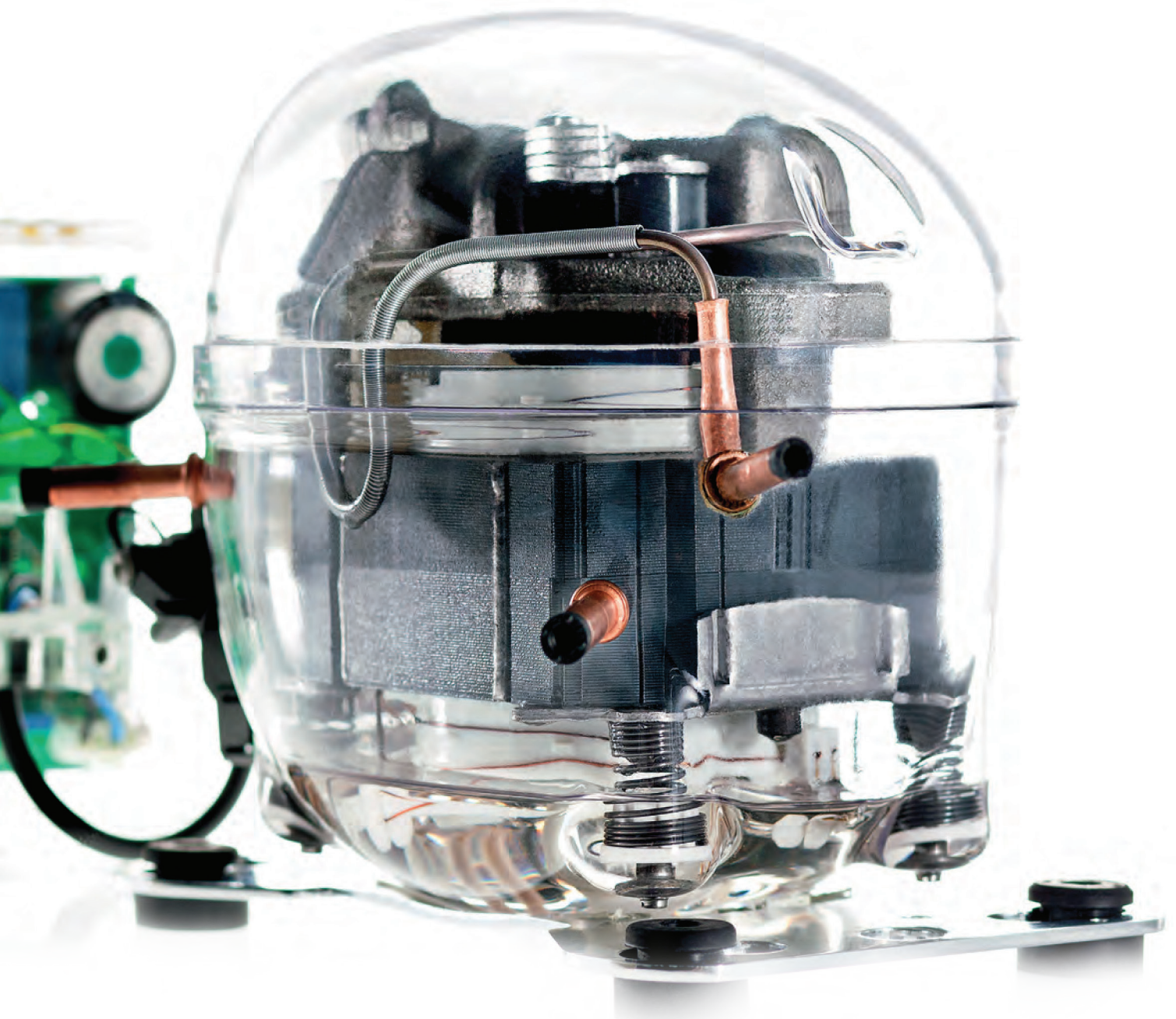
EMPOWERING YOUR LIFE

COMPRESSOR CATALOGUE 2025

● R134a

● R290

● R600a





Introduction	04
Series	05
Designation	06
Identification Label	06
Compressor Ranges	07
Technical Information	08
Compressors DataSheets	10
Models Commercialised By Spa Zentech.....	18
Compressor Dimensions	20
Assembly of Electronic Components	22
Packaging and Shipping	23
Wiring Diagram	26
Fixing of Mounting Bracket and Cabinet Base	26

ZENTECH is proud to be the first compressor manufacturer in Algeria and the Middle East. With a commitment to advancing cooling technology, we bring innovation and quality to every product we create.

1. Company Overview

Based in B.B.A, Algeria, ZENTECH operates within an expansive 80,000m² complex, utilizing over 20 years of industry expertise. Our primary focus is on delivering reliable, high-quality compressor products tailored to meet the needs of the Algerian and North African markets. Our mission is to bring 5 million compressor units to Algerian households and surrounding regions over the next five years with an impressive production capacity of 4 million compressors annually, we are equipped to supply compressors for a range of refrigeration needs, both domestically and internationally.

2. Partnerships and Distributions

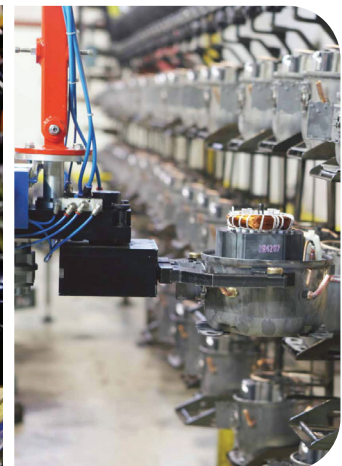
To ensure the highest standards of technology and efficiency, ZENTECH collaborates with global leaders in compressor technology. We are also proud to hold exclusive distribution rights for several renowned brands, CUBIGEL, HUAYI, GMCC, DONPER, SIBERIA, LAMDA, HIGHLY, and DANFU, serving Algeria and nearby regions. This network of partnerships allows us to bring advanced compressor solutions to our customers.

3. Product Range

Under the ZENTECH brand, we manufacture a full range of refrigerator compressors designed for both domestic and export markets. Our compressors cover cooling capacities from 52W to 840W, making them suitable for applications such as refrigerators, chest freezers, showcases, and water dispensers. We offer products that use environmentally friendly refrigerants, including R600a, R290, and R134a, and provide various packaging options to meet the needs of industrial clients as well as resale customers.

4. Corporate Values

Our values emphasize expertise, eco-friendliness, reliability, and care. With a commitment to energy efficiency, environmental responsibility, and reliable products, ZENTECH strives to enhance the quality of life in the communities it serves.





01

Series

Cooling capacity
88 to 840 w
Refrigerants:
R134a, R600a, R290
Applications:
L/M/HBP

02

Series

Cooling capacity
52 to 715 w
Refrigerants:
R134a, R600a, R290
Applications:
L/M/HBP



03

Series

Cooling capacity
100 to 455 w
Refrigerants:
R134a, R600a, R290
Applications:
LBP

04

Series

Cooling capacity
490 to 1780 w
Refrigerants:
R134a, R290
Applications:
M/HBP



05

Series

Cooling capacity
35 to 100 w
Refrigerants:
R134a, R600a
Applications:
LBP

06

Series

Cooling capacity
50 to 480 w
Refrigerants:
R134a, R600a, R290
Applications:
L/M/HBP



07

Series

Cooling capacity
400 to 2500 w
Refrigerants:
R134a, R404A, R290
Applications:
L/M/HBP

Designation

Z 01 A 115 Y B

Refrigerant
Z = R600a
F = R134a
R = R290
Y = R404A

Series

Rated Voltage

A = 240-220V~50Hz
B = 220-200V~50Hz
C = 240-220V~60Hz
D = 240-220V~60/50Hz
E = 115V~60Hz
F = 100V~60/50Hz
G = 127V~60Hz
H = 240-208V~60Hz
I = 127-115V~60Hz
J = 260-160V~50Hz
K = 120-110V~60Hz

Displacement

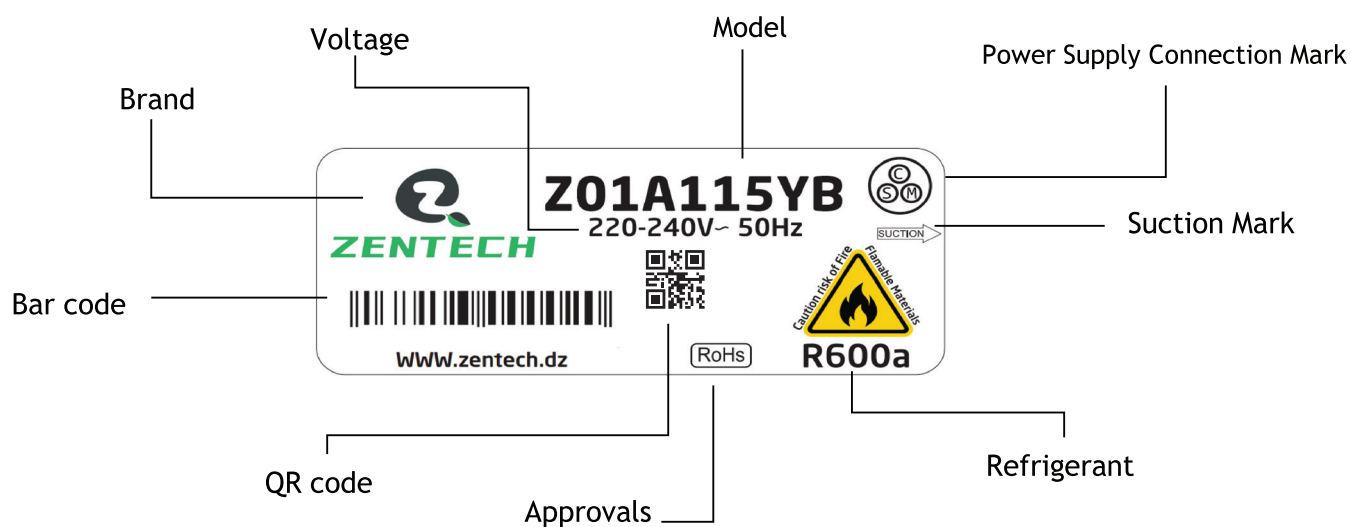
11,5=115 cc /rev

Motor type

A = RSIR
B = RSCR
C = CSR
D = CSIR
E = BLDC
F = RSIR/RSCR

Efficiency level

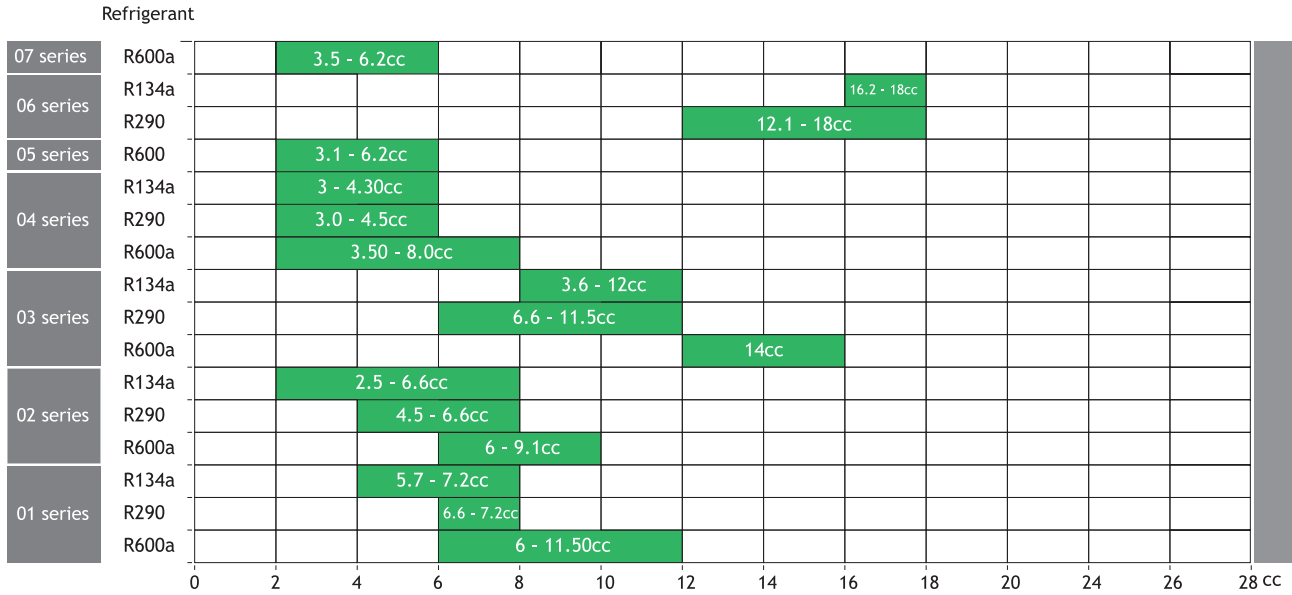
Identification Label



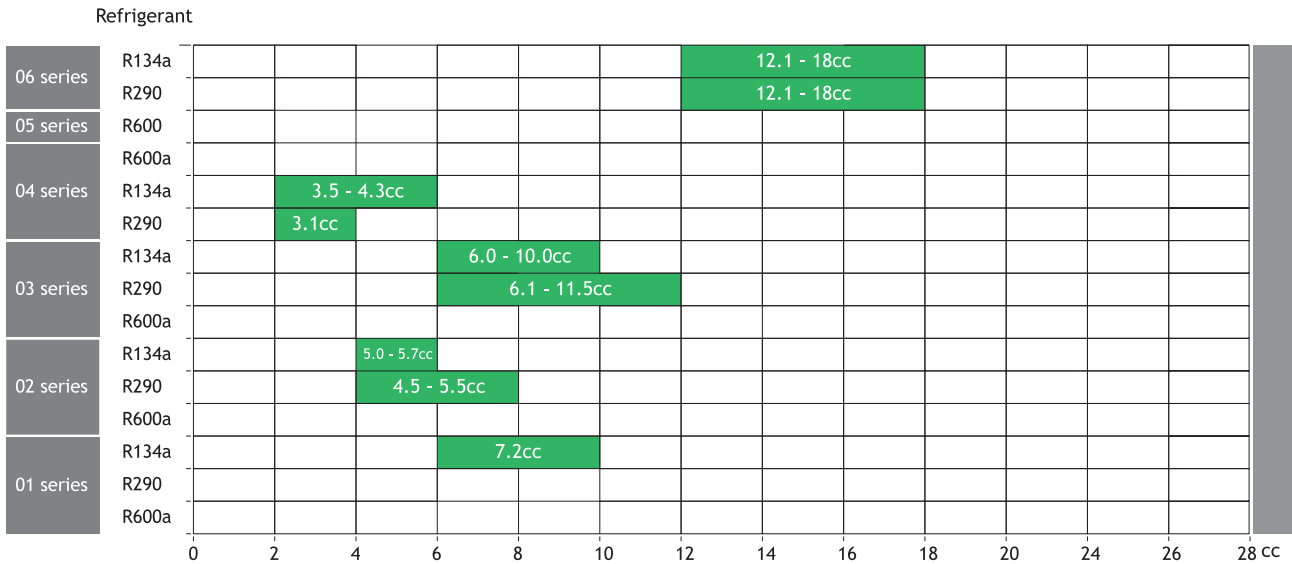
Flammable gases



LBP (Displacement)



HBP (Displacement)



Applications:

ULBP	ULTRA LOW BACK PRESSURE	APPLICATIONS:
	Evaporating temperature between -95 °C and -65 °C	medical appliances.
LBP	LOW BACK PRESSURE	APPLICATIONS:
	Evaporating temperature lower than -20 °C	refrigerators, frozen food cabinets, frozen food display case, display windows, etc.
L/MBP	LOW/MEDIUM BACK PRESSURE	APPLICATIONS:
	Evaporating temperature between -35 °C and 0 °C	professional kitchen coolers, icecream freezers, bottle coolers, chest freezers, etc.
MBP	MEDIUM BACK PRESSURE	APPLICATIONS:
	Evaporating temperature between -20 °C and 0 °C	fresh food cabinets, drink coolers, ice makers, etc.
M/HBP	MEDIUM/HIGH BACK PRESSURE	APPLICATIONS:
	Evaporating temperature between -20 °C and +10 °C	coolers, merchandisers, etc.
HBP	HIGH BACK PRESSURE	APPLICATIONS:
	Evaporating temperature between -15 °C and +10 °C	fresh food cabinets, bottle coolers, dehumidifiers, etc.

Test Conditions:

TEST CONDITIONS	APPLICATION	EVAPORATING TEMPERATURE °C	CONDENSING TEMPERATURE °C	RETURN GAS TEMPERATURE °C	SUB-COOLING	AMBIENT TEMPERATURE °C
ASHRAE	LBP	-23,3	54,4	32,2	22,2K	32,2
	MBP and HBP	7,2	54,4	35	8,3K	35
CECOMAF	LBP	-25	55	32	0	32

Unit Conversion Table:

UNIT CONVERSION	
1 Watt	3,41 Btu/h
1 Watt	0,86 kcal/h
1 Kcal/h	3,97 Btu/h

Cooling Type:

STATIC (S)	Compressor doesn't require forced cooling, but its installation is requiring adequate cool by ambient air to avoid overheating.
FAN (F)	Compressor requires forced cooling through the use of a fan.

Cooling Type:

LST	LOW STARTING TORQUE Compressor with RSIR-RSCR-PSC electrical motor for systems with capillary tube and with equalized pressures at start up.
HST	HIGH STARTING TORQUE Compressor with CSIR-CSR and 3ph electrical motor for systems with equalized or not equalized pressures at start up.

Electrical Motor Types:

RSIR	<p>Resistance Start - Inductive Run: This motor type, used into low power compressors, has a low starting torque (LST) and must be applied only to capillary tube systems where the pressures equalize. The motor is characterized by a start winding with high ohmic resistance and must be disconnected when it reaches the stabilized rotational speed. An electromagnetic relay, calibrated for the motor current, disconnects the start winding at the end of the start up. An alternative to the electromagnetic relay is, for some models, a PTC solid state-starting device.</p>
RSCR	<p>Resistance Start - Capacitive Run Similar to RSIR motor version but uses a PTC solid state starting device and a permanently connected run capacitor to improve its efficiency.</p>
CSIR	<p>Capacitive Start - Inductive Run Similar to RSIR motor, with a different start winding in series with a start capacitor of suitable capacitance to get a high starting torque.</p>
CSR	<p>Capacitive Start & Run CSR version with capacitive run and start windings. Same as PSC motor but with a start capacitor in series with the start winding. A potential starting relay, calibrated for each motor, disconnects the start capacitor at the end of the start. The motor is characterized by a high starting torque (HST) and high efficiency.</p>

Gas Parameter:

Property	R600a (Isobutane)	R134a (1,1,1,2-Tetrafluoroethane)	R290 (Propane)
Chemical Formula	C ₄ H ₁₀	C ₂ H ₂ F ₄	C ₃ H ₈
Molecular Mass [g/mol]	58,12	102,03	44,1
Safety Class	A3 (flammable)	A1 (non-flammable)	A3 (flammable)
ODP (Ozone Depletion Potential)	0	0	0
GWP (Global Warming Potential)	3	1430	3
Boiling Point [°C]	-11,7	-26,1	-42,1
Critical Temperature [°C]	134,7	101,1	96,7
Critical Pressure [kPa]	3640	4060	4240
Vapor Density (25°C) [kg/m ³]	2,51	5,25	1,87
LFL (Lower Flammability Limit) [kg/m ³]	0,038	NF (Non-flammable)	0,038



Series	Model	Displacement	Cooling Type	Motor Type	Voltage / Frequency	ASHRAE				
						Cooling Capacity			Cop	
						W	BTU/h	Kcal	W/W	BTU/Wh
220-240V-50Hz R600 LBP										
05	Z05A31FA	3,1	ST	RSIR	220-240V-50Hz	43	147	37	0,95	3,24
07	Z07A35FA	3,5	ST	RSIR	220-240V-50Hz	52	177	45	0,95	3,24
05	Z05A35FA	3,5	ST	RSIR	220-240V-50Hz	55	188	47	0,95	3,25
04	Z04A35HA	3,5	ST	RSIR	220-240V-50Hz	52	177	45	1,05	3,58
	Z04A35QB	3,5	ST	RSCR	220-240V-50Hz	55	188	47	1,5	5,12
07	Z07A45FA	4,5	ST	RSIR	220-240V-50Hz	62	212	53	0,95	3,24
05	Z05A45HA	4,5	ST	RSIR	220-240V-50Hz	65	222	56	1,05	3,59
04	Z04A45JA	4,5	ST	RSIR	220-240V-50Hz	70	239	60	1,15	3,92
	Z04A45QB	4,5	ST	RSCR	220-240V-50Hz	72	246	62	1,5	5,12
07	Z07A52FA	5,2	ST	RSIR	220-240V-50Hz	76	259	65	0,95	3,24
05	Z05A52GA	5,2	ST	RSIR	220-240V-50Hz	80	273	69	1	3,41
04	Z04A52JA	5,2	ST	RSIR	220-240V-50Hz	85	290	73	1,15	3,92
	Z04A52QB	5,2	ST	RSCR	220-240V-50Hz	85	290	73	1,5	5,12
	Z04A60HA	6	ST	RSIR	220-240V-50Hz	98	341	86	1,05	3,58
	Z04A60GA	6	ST	RSIR	220-240V-50Hz	98	334	84	1,1	3,75
	Z04A60MA	6	ST	RSIR	220-240V-50Hz	98	334	84	1,3	4,43
02	Z02A60NA	6	ST	RSIR	220-240V-50Hz	100	341	86	1,35	4,6
	Z02A60PA	6	ST	RSIR	220-240V-50Hz	102	348	88	1,45	4,94
	Z02A60RB	6	ST	RSCR	220-240V-50Hz	102	348	88	1,55	5,29
04	Z04A60SB	6	ST	RSCR	220-240V-50Hz	100	341	86	1,6	5,46
02	Z02A60TB	6	ST	RSCR	220-240V-50Hz	102	348	88	1,65	5,63
	Z02A60UB	6	ST	RSCR	220-240V-50Hz	102	348	88	1,7	5,8



Series	Model	Displacement	Cooling Type	Motor Type	Voltage / Frequency	ASHRAE				
						Cooling Capacity			Cop	
						W	BTU/h	Kcal	W/W	BTU/Wh
220-240V-50Hz R600 LBP										
01	Z01A60WB	6	ST	RSCR	220-240V-50Hz	102	348	88	1,8	6,14
05	Z05A62HA	6,2	ST	RSIR	220-240V-50Hz	102	348	88	1,05	3,58
02	Z02A67RB	6,7	ST	RSCR	220-240V-50Hz	115	392	99	1,55	5,29
	Z02A67UB	6,7	ST	RSCR	220-240V-50Hz	115	392	99	1,7	5,8
01	Z01A67WB	6,7	ST	RSCR	220-240V-50Hz	115	392	99	1,8	6,14
04	Z04A70KA	7	ST	RSIR	220-240V-50Hz	118	403	101	1,2	4,09
02	Z02A72MA	7,2	ST	RSIR	220-240V-50Hz	123	427	107	1,3	4,43
	Z02A72RB	7,2	ST	RSCR	220-240V-50Hz	123	420	106	1,55	5,29
	Z02A72SB	7,2	ST	RSCR	220-240V-50Hz	123	420	106	1,6	5,46
04	Z04A80KA	8	ST	RSIR	220-240V-50Hz	135	461	116	1,2	4,09
02	Z02A810A	8,1	ST	RSIR	220-240V-50Hz	140	478	120	1,4	4,77
	Z02A80RB	8	ST	RSCR	220-240V-50Hz	142	485	122	1,56	5,32
	Z02A80SB	8	ST	RSCR	220-240V-50Hz	142	485	122	1,6	5,46
	Z02A80UB	8	ST	RSCR	220-240V-50Hz	142	485	122	1,7	5,8
01	Z01A80UB	8	ST	RSCR	220-240V-50Hz	142	485	122	1,7	5,8
	Z01A80VB	8	ST	RSCR	220-240V-50Hz	142	485	122	1,75	5,97
02	Z02A88MA	8,8	ST	RSIR	220-240V-50Hz	155	529	133	1,3	4,43
	Z02A88PF	8,8	ST	RSIR	220-240V-50Hz	155	529	133	1,4	4,77
		8,8	ST	RSCR	220-240V-50Hz	155	529	133	1,5	5,12
01	A01A88RF	8,8	ST	RSIR	220-240V-50Hz	155	529	133	1,52	5,18
		8,8	ST	RSCR	220-240V-50Hz	155	529	133	1,62	5,52
	Z01A88UB	8,8	ST	RSCR	220-240V-50Hz	155	529	133	1,7	5,8
	Z01A88WB	8,8	ST	RSCR	220-240V-50Hz	158	539	136	1,82	6,21



Series	Model	Displacement	Cooling Type	Motor Type	Voltage / Frequency	ASHRAE				
						Cooling Capacity			Cop	
						W	BTU/h	Kcal	W/W	BTU/Wh
220-240V-50Hz R600 LBP										
02	Z02A91MA	9,1	ST	RSIR	220-240V-50Hz	160	546	138	1,3	4,43
	Z02A91PF	9,1	ST	RSIR	220-240V-50Hz	160	546	138	1,4	4,77
		9,1	ST	RSCR	220-240V-50Hz	160	546	138	1,5	5,12
01	Z01A96NA	9,6	ST	RSIR	220-240V-50Hz	166	566	143	1,35	4,6
	Z01A96SF	9,6	ST	RSIR	220-240V-50Hz	166	566	143	1,55	5,29
		9,6	ST	RSCR	220-240V-50Hz	166	566	143	1,65	5,63
	Z01A96UB	9,6	ST	RSCR	220-240V-50Hz	166	566	143	1,7	5,8
	Z01A96VB	9,6	ST	RSCR	220-240V-50Hz	166	566	143	1,75	5,97
	Z01A96YB	9,6	ST	RSCR	220-240V-50Hz	166	566	143	1,83	6,24
	Z01A105PA	10,5	ST	RSIR	220-240V-50Hz	184	628	158	1,45	4,94
	Z01A105RF	10,5	ST	RSIR	220-240V-50Hz	184	628	158	1,52	5,18
		10,5	ST	RSCR	220-240V-50Hz	184	628	158	1,62	5,52
	Z01A105UB	10,5	ST	RSCR	220-240V-50Hz	184	628	158	1,7	5,8
	Z01A105VB	10,5	ST	RSCR	220-240V-50Hz	184	628	158	1,75	5,97
	Z01A105WB	10,5	ST	RSCR	220-240V-50Hz	186	635	160	1,8	6,14
	Z01A115PA	11,5	ST	RSIR	220-240V-50Hz	198	676	170	1,45	4,94
	Z01A115RA	11,5	ST	RSIR	220-240V-50Hz	198	676	170	1,55	5,29
	Z01A115TB	11,5	ST	RSCR	220-240V-50Hz	198	676	170	1,65	5,63
Z01A115UB	11,5	ST	RSCR	220-240V-50Hz	198	676	170	1,7	5,8	
Z01A115WB	11,5	ST	RSCR	220-240V-50Hz	198	676	170	1,8	6,14	
Z01A115YB	11,5	ST	RSCR	220-240V-50Hz	198	676	170	1,85	6,31	
03	Z03A140SB	14	ST	RSCR	220-240V-50Hz	240	819	206	1,6	4,94



Series	Model	Displacement	Cooling Type	Motor Type	Voltage / Frequency	ASHRAE				
						Cooling Capacity			Cop	
						W	BTU/h	Kcal	W/W	BTU/Wh
220-240V-50Hz R134a LBP										
02	GSC25AA F02A25CA	2,5	ST	RSIR	220-240V-50Hz	60	205	52	0,82	2,8
	F02A30EA	3	ST	RSIR	220-240V-50Hz	75	256	64	0,9	3,07
	F02A30KA	3	ST	RSIR	220-240V-50Hz	75	256	64	1,2	4,09
04	F02A30JA	3	ST	RSIR	220-240V-50Hz	85	290	73	1,15	3,92
02	F02A50PB	5	ST	RSCR	220-240V-50Hz	150	512	129	1,45	4,94
	F02A57PF	5,7	ST	RSIR	220-240V-50Hz	165	563	142	1,4	4,77
		5,7	ST	RSCR	220-240V-50Hz	165	563	142	1,45	4,94
01	F01A57QF	5,7	ST	RSIR	220-240V-50Hz	165	563	142	1,4	4,77
		5,7	ST	RSCR	220-240V-50Hz	165	563	142	1,5	5,12
	F01A57SB	5,7	ST	RSCR	220-240V-50Hz	165	563	142	1,6	5,46
02	F02A66PB	6,6	ST	RSCR	220-240V-50Hz	195	665	168	1,45	4,94
01	F01A66QF	6,6	ST	RSIR	220-240V-50Hz	200	682	172	1,4	4,77
		6,6	ST	RSCR	220-240V-50Hz	200	682	172	1,5	5,12
	F01A66SB	6,6	ST	RSCR	220-240V-50Hz	200	682	172	1,6	5,46
	F01A66UB	6,6	ST	RSCR	220-240V-50Hz	200	682	172	1,7	5,8
	F01A72MA	7,2	ST	RSIR	220-240V-50Hz	220	751	189	1,3	4,43
	F01A72PF	7,2	ST	RSIR	220-240V-50Hz	220	751	189	1,4	4,77
		7,2	ST	RSCR	220-240V-50Hz	220	751	189	1,5	5,12
	F01A72RB	7,2	ST	RSCR	220-240V-50Hz	220	751	189	1,58	5,39
	F01A72SB	7,2	ST	RSCR	220-240V-50Hz	220	751	189	1,6	5,46



Series	Model	Displacement	Cooling Type	Motor Type	Voltage / Frequency	ASHRAE				
						Cooling Capacity			Cop	
						W	BTU/h	Kcal	W/W	BTU/Wh
220-240V-50Hz R134a LBP										
03	F03A860A-AL	8,6	ST	RSIR	220-240V-50Hz	245	836	211	1,39	4,74
	F03A86PB-CU	8,6	ST	RSCR	220-240V-50Hz	245	836	211	1,48	5,05
	F03A86QB-CU	8,6	ST	RSCR	220-240V-50Hz	245	836	211	1,5	5,12
	F03A86SB-AL	8,6	ST	RSCR	220-240V-50Hz	245	836	211	1,62	5,52
	F03A86UB-CU	8,6	ST	RSCR	220-240V-50Hz	245	836	211	1,69	5,76
	F03A930A-AL	9,3	ST	RSIR	220-240V-50Hz	265	904	228	1,4	4,77
	F03A93QB-CU	9,3	ST	RSCR	220-240V-50Hz	265	904	228	1,51	5,15
	F03A100OD-AL	10	F	CSIR	220-240V-50Hz	290	990	249	1,4	4,77
	F03A120OD-CU	12	F	CSIR	220-240V-50Hz	330	1126	284	1,39	4,74
03	F03A120OD-AL	12	F	CSIR	220-240V-50Hz	330	1126	284	1,4	4,77
06	F06A160MD	16,2	F	CSIR	220-240V-50Hz	435	1484	374	1,3	4,44
	F06A180MD	18,0	F	CSIR	220-240V-50Hz	480	1638	413	1,3	4,44



Series	Model	Displacement	Cooling Type	Motor Type	Voltage / Frequency	ASHRAE				
						Cooling Capacity			Cop	
						W	BTU/h	Kcal	W/W	BTU/Wh
220-240V-50Hz R290 LBP										
04	R04A30IA	3	ST	RSIR	220-240V-50Hz	130	444	112	1,1	3,75
	R04A35IA	3,5	ST	RSIR	220-240V-50Hz	156	532	134	1,1	3,75
	R04A45IA	4,5	ST	RSIR	220-240V-50Hz	190	648	163	1,1	3,75
02	R02A45KA	4,5	ST	RSIR	220-240V-50Hz	200	682	172	1,2	4,09
	R02A45MF	4,5	ST	RSIR/ RSCR	220-240V-50Hz	205	699	176	1,3	4,44
	R02A50LA	5	ST	RSIR	220-240V-50Hz	220	751	189	1,26	4,3
	R02A50MF	5	ST	RSIR/ RSCR	220-240V-50Hz	230	785	198	1,3	4,44
	R02A55MF	5,5	ST	RSIR/ RSCR	220-240V-50Hz	255	870	219	1,3	4,44
02	R02A60KA	6	F	RSIR	220-240V-50Hz	290	990	249	1,35	4,61
02	R02A66KB	6,6	F	RSCR	220-240V-50Hz	310	1058	267	1,35	4,61
03	R03A66OA	6,6	ST	RSIR	220-240V-50Hz	320	1092	275	1,4	4,78
01	R01A66MA	6,6	FC	RSIR	220-240V-50Hz	320	1092	275	1,4	4,78
03	R03A66QA	6,6	ST	RSIR	220-240V-50Hz	320	1092	275	1,49	5,1
	R03A66RB	6,6	ST	RSCR	220-240V-50Hz	320	1092	275	1,56	5,3
01	R01A72MA	7,2	FC	RSIR	220-240V-50Hz	350	1194	301	1,4	4,78
03	R03A75PA	7,5	ST /F	RSIR	220-240V-50Hz	355	1211	305	1,45	4,95
03	R03A86PB	8,6	F	RSCR	220-240V-50Hz	390	1331	335	1,43	4,88
	R03A93QA	9,3	F	RSIR	220-240V-50Hz	450	1535	387	1,49	5,08
	R03A100PA	10	F	RSIR	220-240V-50Hz	480	1638	413	1,46	4,98
	R03A115MD	11,5	F	CSIR	220-240V-50Hz	545	1860	469	1,42	4,85
06	R06A121PC	12,1	F	CSR	220-240V-50Hz	520	1774	605	1,45	4,95
	R06A143MC	14,3	F	CSR	220-240V-50Hz	635	2167	739	1,4	4,78
	R06A162PC	16,2	F	CSR	220-240V-50Hz	750	2559	645	1,45	4,95
	R06A180PC	18	F	CSR	220-240V-50Hz	825	2815	709	1,45	4,95



Series	Model	Displacement	Cooling Type	Motor Type	Voltage / Frequency	ASHRAE				
						Cooling Capacity			Cop	
						W	BTU/h	Kcal	W/W	BTU/Wh
220-240V-50Hz R134a HBP										
04	F04A35AFA	3,5	ST	RSIR	220-240V-50Hz	360	1228	310	2.20	7.51
	F04A38AFA	3,8	F	RSIR	220-240V-50Hz	390	1331	335	2.20	7.51
	F04A43AFA	4,3	F	RSIR	220-240V-50Hz	430	1467	370	2.20	7.51
	F03A43ANB	4,3	F	RSCR	220-240V-50Hz	430	1467	370	2.60	8.87
02	F02A50ANA	5,0	F	RSIR	220-240V-50Hz	530	1808	456	2.60	8.87
	F02A55ALA	5,7	F	RSIR	220-240V-50Hz	600	2047	516	2.45	8.35
03	F03A60AGD	6,0	F	CSIR	220-240V-50Hz	550	1877	377	2.24	7.64
01	F01A75ANA	7,2	F	RSIR	220-240V-50Hz	780	2661	671	2.6	8.87
03	F03A80AJD	8	F	CSIR	220-240V-50Hz	720	2457	619	2.4	7.74
	F03A100AFD	10,0	F	CSIR	220-240V-50Hz	880	3003	757	2.2	6.82
	F03A100AJD-CU	10,0	F	CSIR	220-240V-50Hz	880	3003	378	2.4	7.54
06	F06A120ALC	12,1	F	CSR	220-240V-50Hz	1175	4009	1367	2.53	8.63
	F06A143AIC	14,3	F	CSR	220-240V-50Hz	1415	4828	1646	2.35	8.02
	F06A162AIC	16,2	F	CSR	220-240V-50Hz	1520	5186	1768	2.35	8.02
	F06A180AGC	18,0	F	CSR	220-240V-50Hz	1710	5835	1989	2.25	7.68



Series	Model	Displacement	Cooling Type	Motor Type	Voltage / Frequency	ASHRAE				
						Cooling Capacity			Cop	
						W	BTU/h	Kcal	W/W	BTU/Wh
220-240V-50Hz R290 HBP										
04	R04A31ADA	3,1	F	RSIR	220-240V-50Hz	390	1331	335	2,1	7,17
	R04A31ARB	3,1	F	RSCR	220-240V-50Hz	420	1433	361	2,8	9,55
02	R02A45ANF	4,5	F	RSIR	220-240V-50Hz	645	2201	555	2,6	8,87
		4,5	F	RSCR	220-240V-50Hz	650	2218	559	2,75	9,38
	R02A50AIF	5	F	RSIR	220-240V-50Hz	680	2320	585	2,35	8,01
		5	F	RSCR	220-240V-50Hz	680	2320	585	2,5	8,53
	R02A55AIF	5,5	F	RSIR	220-240V-50Hz	715	2440	615	2,35	8,01
		5,5	F	RSCR	220-240V-50Hz	715	2440	615	2,5	8,53
03	R03A61APD	6,1	F	CSIR	220-240V-50Hz	865	2952	744	2,7	9,21
	R03A115ARB	11,5	F	RSCR	220-240V-50Hz	1750	5971	1505	2,78	9,49
06	R06A121ANC	12,1	F	CSR	220-240V-50Hz	1750	5971	1505	2,6	8,87
	R06A143ANC	14,3	F	CSR	220-240V-50Hz	2010	6858	1728	2,6	8,87
	R06A162ANC	16,2	F	CSR	220-240V-50Hz	2250	7677	1935	2,6	8,87
	R06A180ALC	18	F	CSR	220-240V-50Hz	2480	8462	2132	2,5	8,53

Models Commercialized
BY SPA ZENTECH

SIBERIA®

Series	Model	Displacement	Cooling Type	Motor Type	Voltage / Frequency	ASHRAE				
						Cooling Capacity			Cop	
						W	BTU/h	Kcal	W/W	BTU/Wh
220-240V-50Hz R134 LBP										
F	GFF44AA_AL	4,6	ST	RSIR	220-240V-50Hz	120	409	103	1,2	4,09
F	GFF57AA	5,7	ST	RSIR	220-240V-50Hz	166	566	143	1,33	4,53
F	GFF57AA	5,7	ST	RSCR	220-240V-50Hz	166	566	143	1,43	4,88
F	GFF66AA(AL)	6,6	ST	RSIR	220-240V-50Hz	195	665	168	1,36	4,65
F	GFF66AA(AL)	6,6	ST	RSCR	220-240V-50Hz	195	665	168	1,48	5,06
F	GFF75AA	7,5	ST	RSIR	220-240V-50Hz	215	734	186	1,35	4,61
F	GFF75AA	7,5	ST	RSCR	220-240V-50Hz	215	734	186	1,46	4,97
F	GFF86AA	8,6	ST	RSIR	220-240V-50Hz	250	853	215	1,39	4,74
F	GFF86AA	8,6	ST	RSIR	220-240V-50Hz	250	853	215	1,45	4,94
F	GFF93AA	9,3	ST	RSIR	220-240V-50Hz	270	921	232	1,36	4,65
F	GFF93AA	9,3	ST	RSCR	220-240V-50Hz	270	921	232	1,46	4,98



cubigel® 酷冰
compressors

Series	Model	Displacement	Cooling Type	Motor type	Voltage / Frequency	ASHRAE				
						Cooling Capacity			Cop	
						W	BTU/h	Kcal	W/W	BTU/Wh
220-240V-50Hz R134 LBP										
	HYJ45YCA	4,5	ST	RSIR	220-240V-50Hz	125	426	107	1,35	4,61
	HYS55YCA	5,7	ST	RSIR	220-240V-50Hz	160	547	138	1,30	4,44
	HYS60YCA	6,0	ST	RSIR	220-240V-50Hz	175	597	151	1,30	4,44
	HYE81Ya	8,1	ST	RSIR	220-240V-50Hz	235	802	202	1,25	4,27
	HY113Y	11,3	FC	CSIR	220-240V-50Hz	330	1126	285	1,30	4,44
	HY131Y	13,1	FC	CSIR	220-240V-50Hz	380	1297	328	1,30	4,44
	HY153Y	15,3	FC	CSIR	220-240V-50Hz	430	1467	372	1,30	4,44
	GPT18RA (HBP)	18	F	CSR	220-240V-50Hz	1774	6056	1526	2,39	8,15

Models Commercialized
BY SPA ZENTECH

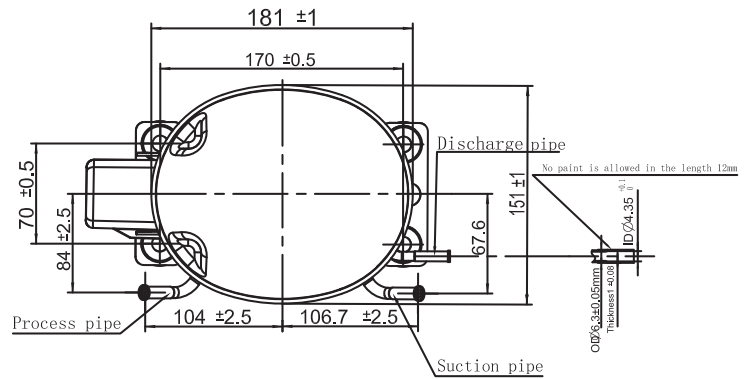
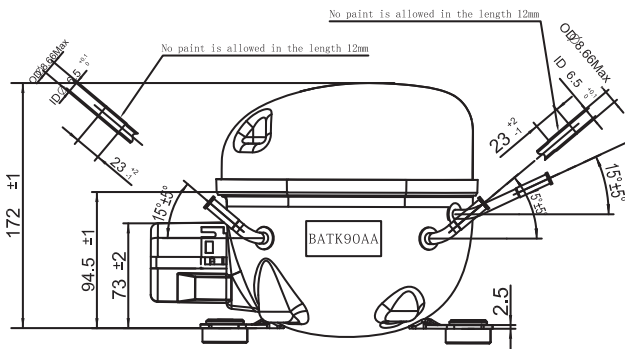


Series	Model	Displacement	Cooling Type	Motor Type	Voltage / Frequency	ASHRAE				
						Cooling Capacity			Cop	
						W	BTU/h	Kcal	W/W	BTU/Wh
240-220V-50Hz R600 LPB										
	L88CY1	8,3	ST	RSIR	220-240V-50Hz	153	522	131	1,32	4,50
	LJ118CY1	11,8	ST	RSCR	220-240V-50Hz	193	658	166	1,83	6,24
	LU126CY1	12,6	ST	RSCR	220-240V-50Hz	212	723	182	1,6	5,46
	LU140CY1	14,0	ST	RSCR	220-240V-50Hz	238	812	204	1,6	5,46
240-220V-50Hz R404A L/MBP										
	NE2170CK	13,5	F	CSR	220-240V-50Hz	700	2388	602	1,25	4,27
	NE2178CK	16,7	F	CSR	220-240V-50Hz	850	2900	731	1,30	4,44
	NV2195CK	27,8	F	CSR	220-240V-50Hz	1100	3753	946	1,30	4,44

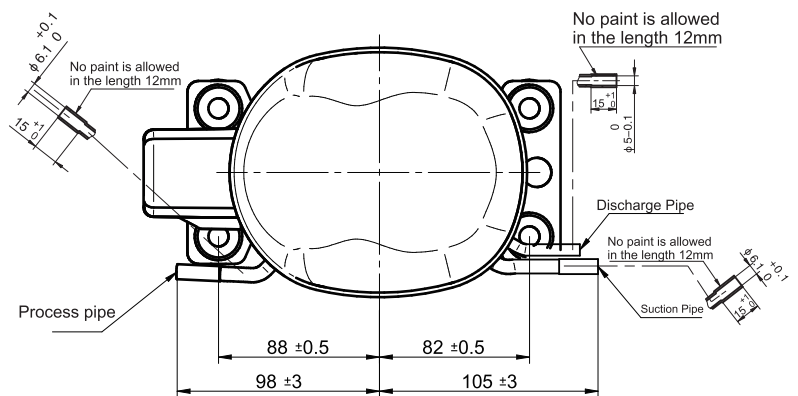
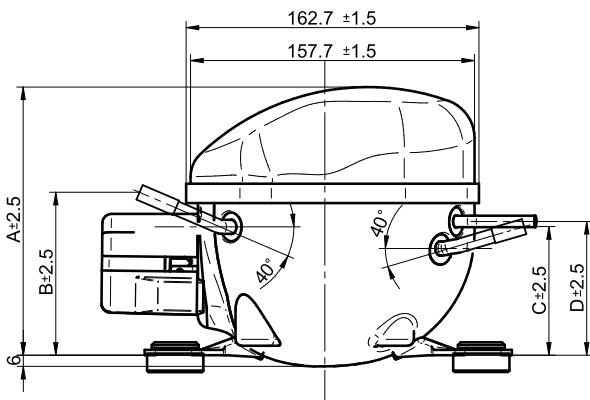


Series	Model	Displacement	Cooling Type	Motor Type	Voltage / Frequency	ASHRAE				
						Cooling Capacity			Cop	
						W	BTU/h	Kcal	W/W	BTU/Wh
240-220V-50Hz R134 LPB										
	SE40E1K	4,0	ST	RSIR	220-240V-50Hz	108	368	93	1,25	4,27
	SE45E1J	4,5	ST	RSIR	220-240V-50Hz	120	409	103	1,2	4,09
	PE59E1H	5,9	ST	RSIR	220-240V-50Hz	165	563	142	1,45	4,95
	PE65H1H	6,5	ST	RSCR	220-240V-50Hz	195	665	168	1,55	5,29
	PE75H1H	7,5	ST	RSCR	220-240V-50Hz	220	751	189	1,45	4,95
	PE80H1F	8,0	ST	RSCR	220-240V-50Hz	235	803	202	1,5	5,12
	PE90H1F	9,0	ST	RSCR	220-240V-50Hz	270	291	131	1,5	5,12
240-220V-50Hz R600a LPB										
	PZ59D1E	5,5	ST	RSCR	220-240V-50Hz	85	290	73	1,5	5,12
	SZ59Y1M	5,9	ST	RSIR	220-240V-50Hz	95	324	88	1,15	3,92
	SZ80E1H	8,0	ST	RSIR	220-240V-50Hz	148	505	127	1,45	4,95
	PZ80E1F	8,0	ST	RSCR	220-240V-50Hz	137	467	118	1,53	5,22
	SZ90E1H	9,0	ST	RSIR	220-240V-50Hz	162	553	139	1,40	4,78
	PZ90H1Y	9,0	ST	RSIR	220-240V-50Hz	165	563	142	1,82	6,21
	PZ120H1Y	12	ST	RSCR	220-240V-50Hz	210	717	181	1,9	6,48
	PZ130H1C	13	ST	RSCR	220-240V-50Hz	235	802	202	1,71	5,83

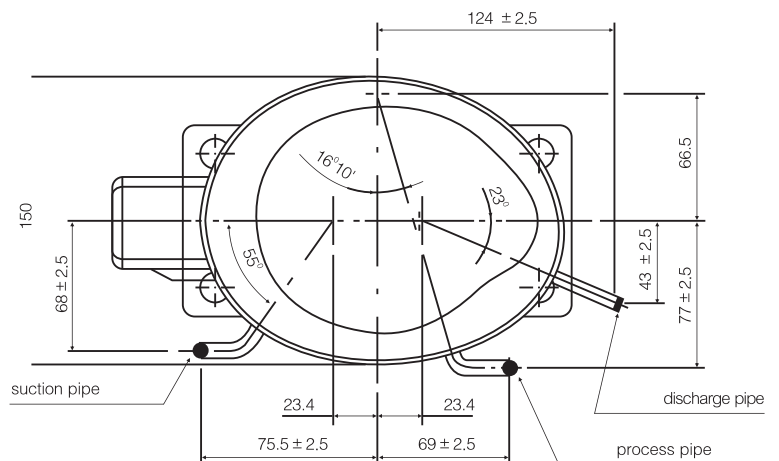
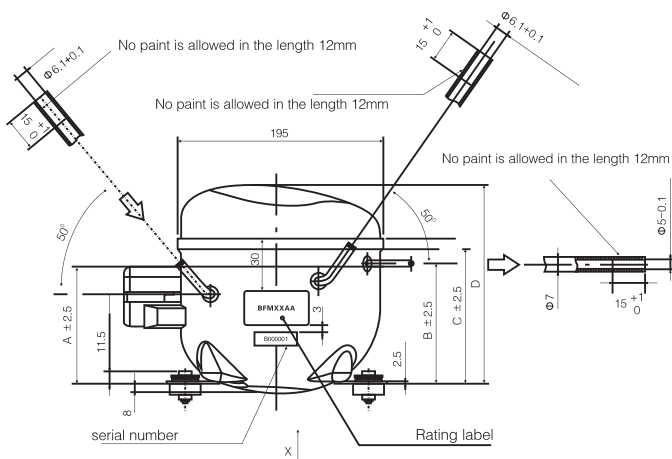
01 Series:



02 Series:

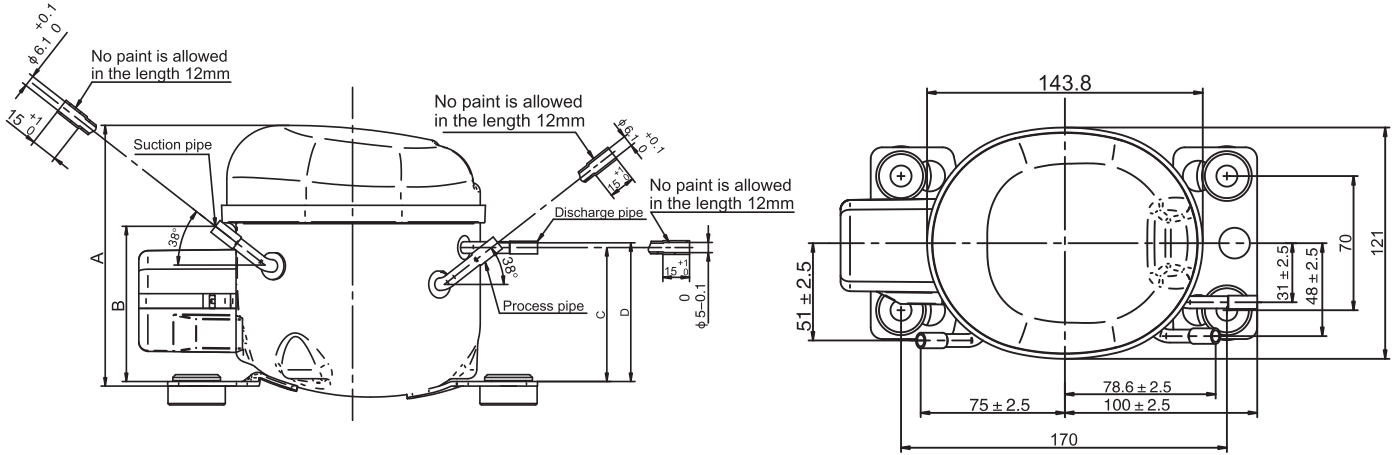


03 Series:

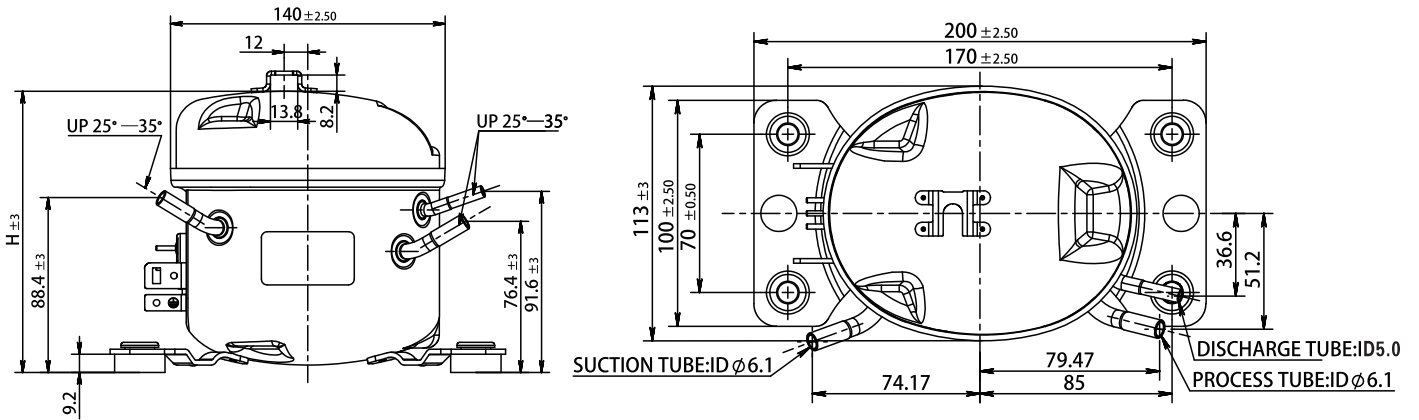




04 Series:

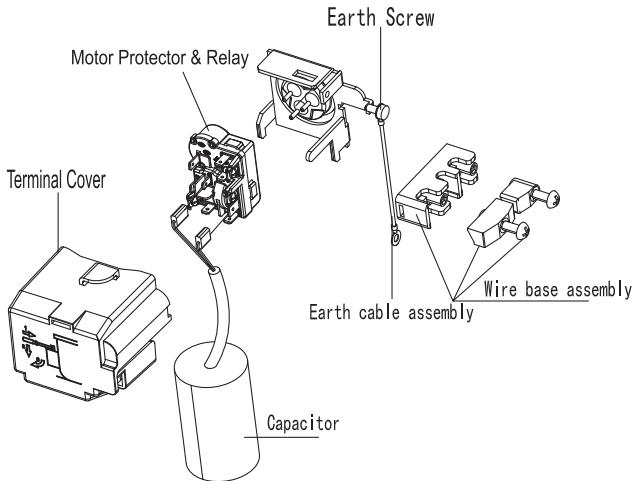


05 Series:

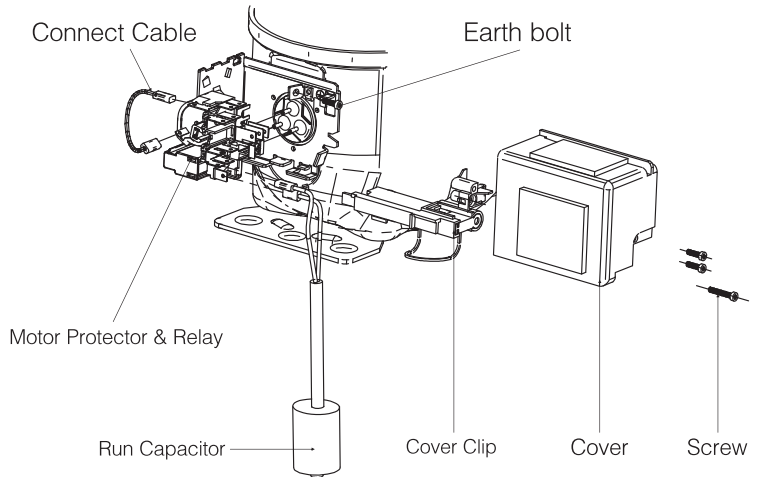


ASSEMBLY OF ELECTRONIC COMPONENTS

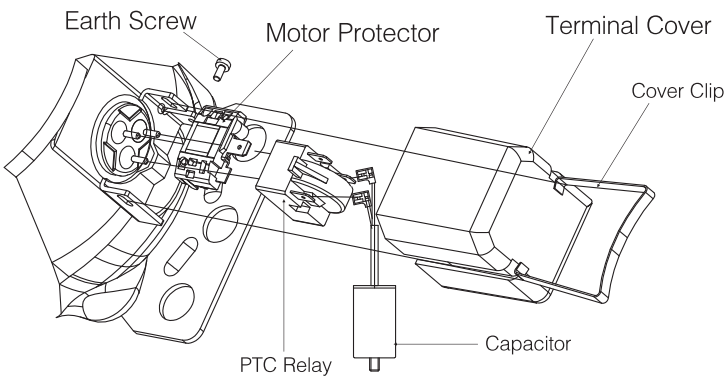
W Type:



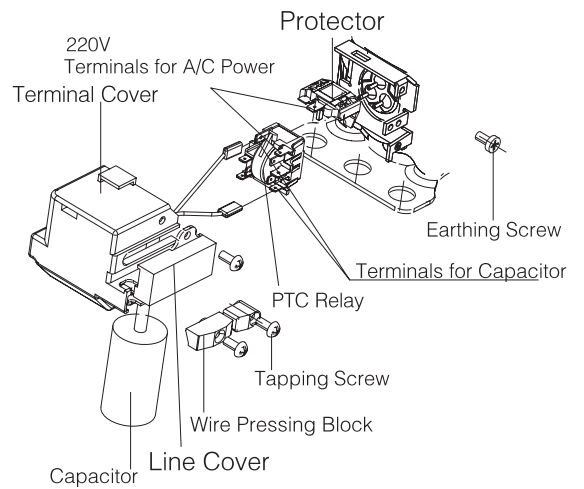
L Type:



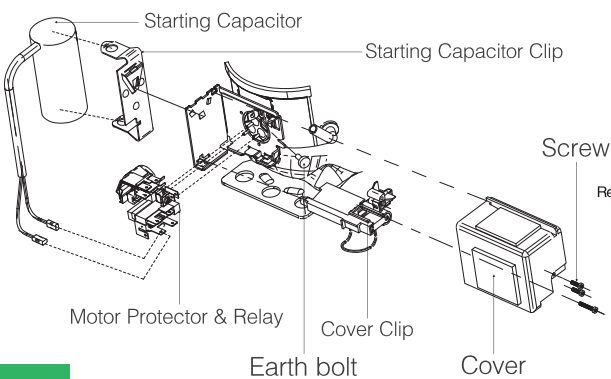
Standard:



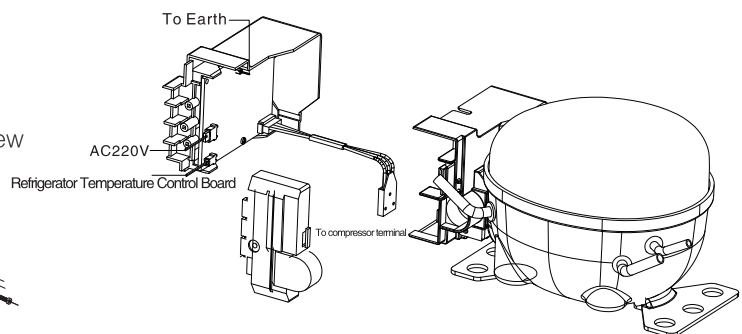
F (B) Type:



MHBP:



Inverter Compressor:



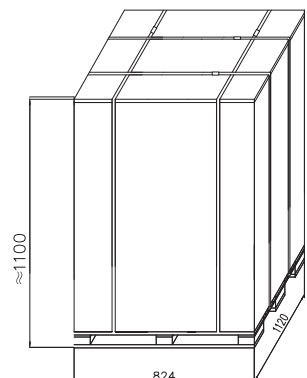
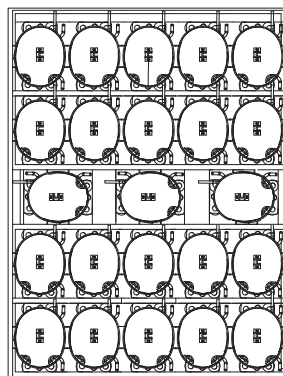
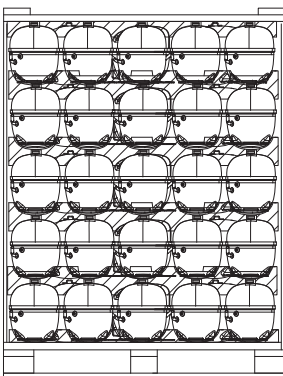
At Zentech, we are committed to delivering high-quality products and exceptional customer service.

We understand the significance of timely delivery and are pleased to offer a range of packaging options to ensure the safe and prompt arrival of all products. The diagrams below illustrate the standard packaging methods for each series, and we can customize these methods to meet specific needs.

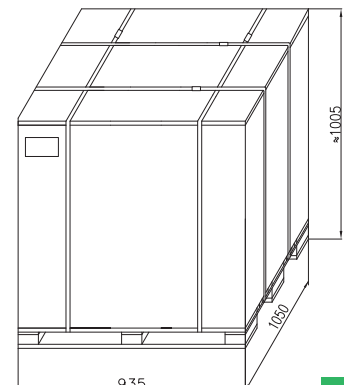
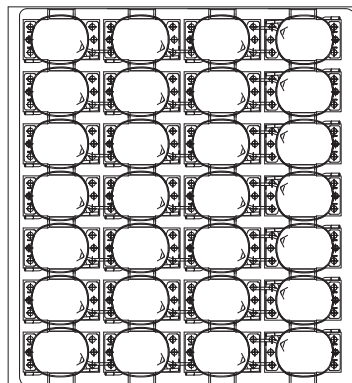
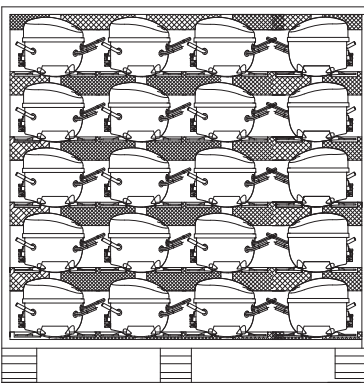
For assistance and details on alternative packaging options, please consult your sales advisor.

Serial	Carton		FT Container'1X20	
	Pcs/Pallet	Array	Pallets	Quantity
F	80	5×4×4	26	2080
S	140	7×4×5	24	3360
AT	115	(5×4+3) × 5	26	2990
V	140	7×4×5	24	3360
L	180	5×6×6	26	4680
B	54/72	6×3×3 / 6×3×4	28	1764

01 Series Standard Package:



02 Series Standard Package:

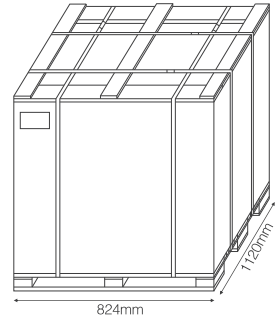
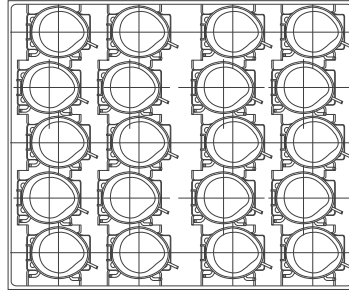
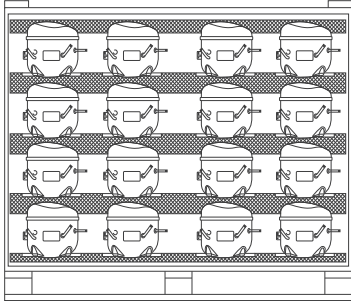




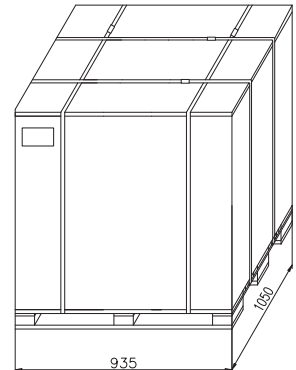
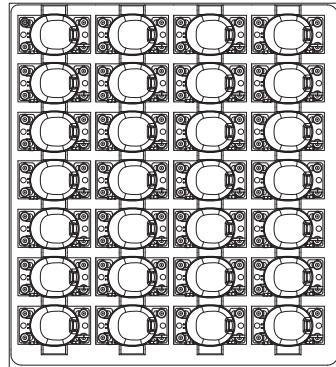
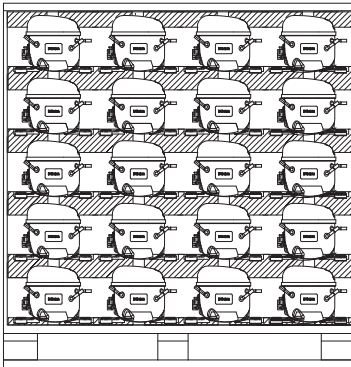
ZENTECH
EMPOWERING YOUR LIFE

PACKAGING AND SHIPPING

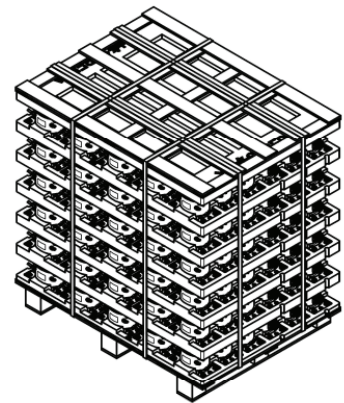
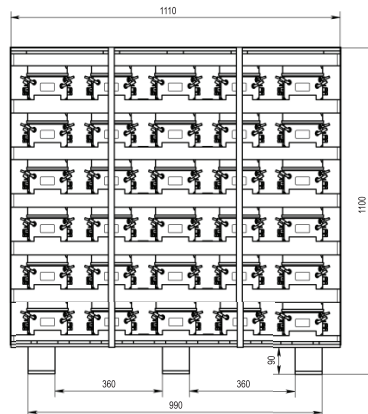
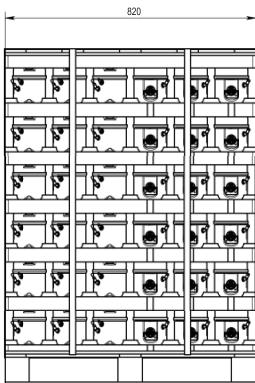
03 Series Standard Package:



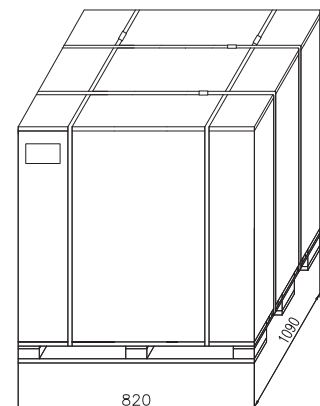
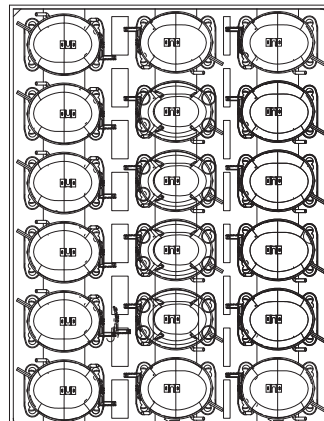
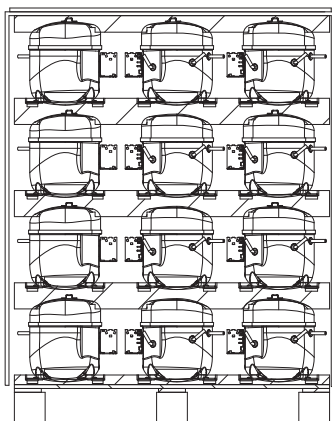
04 Series Standard Package:



05 Series Standard Package:



06 Series Standard Package:

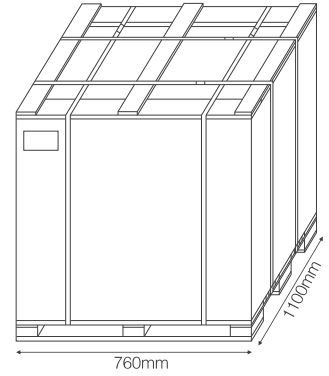
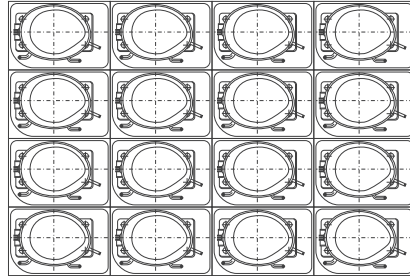
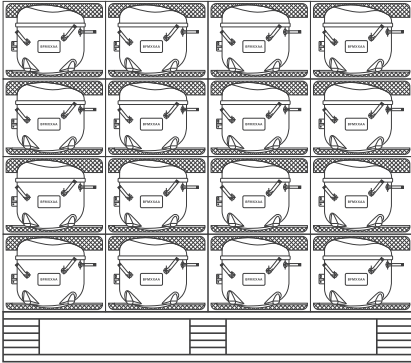




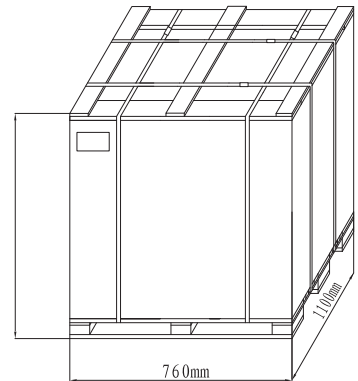
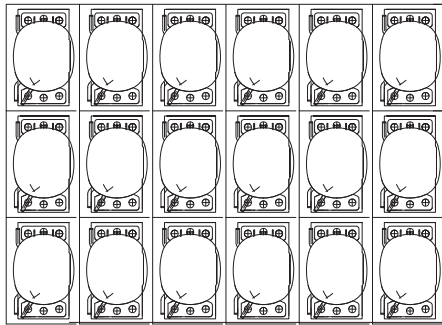
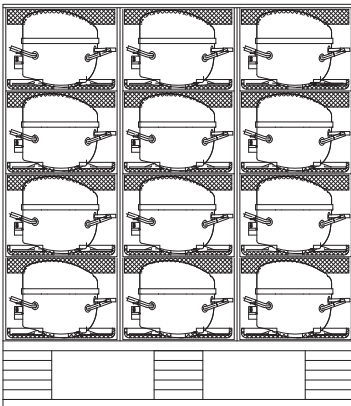
ZENTECH
EMPOWERING YOUR LIFE

PACKAGING AND SHIPPING

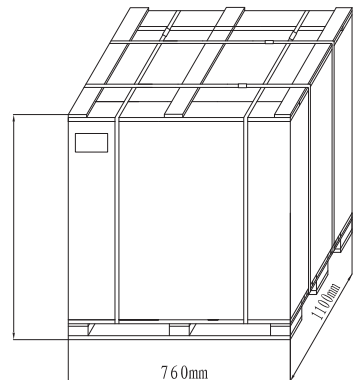
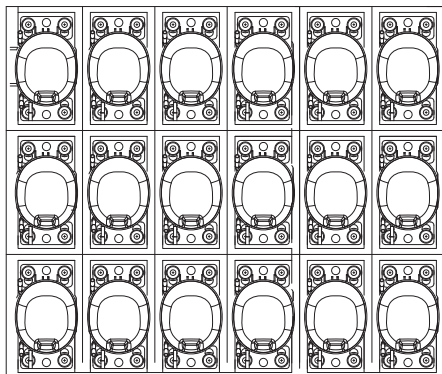
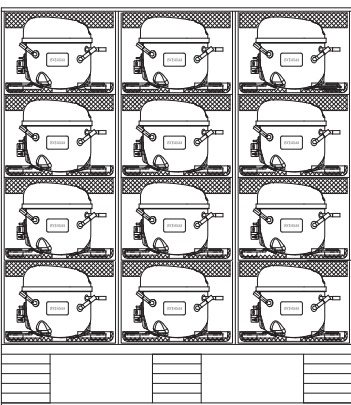
01 Series Individual Package:



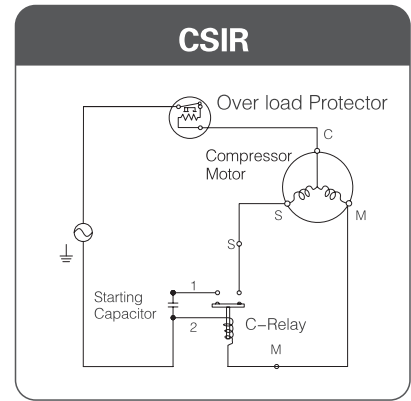
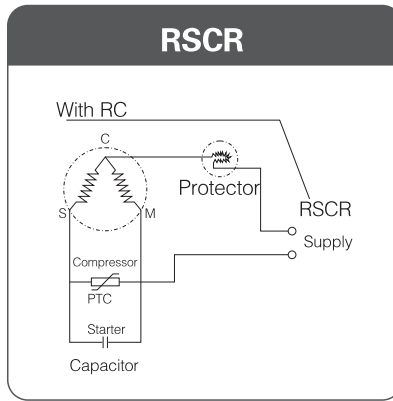
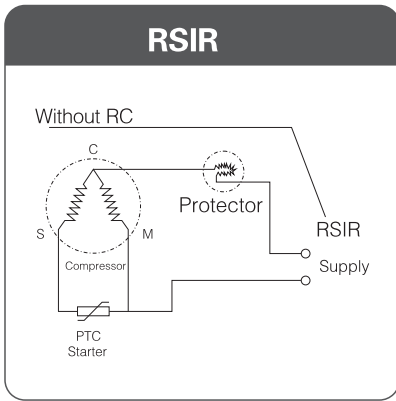
02 Series Individual Package:



03 Series Individual Package:

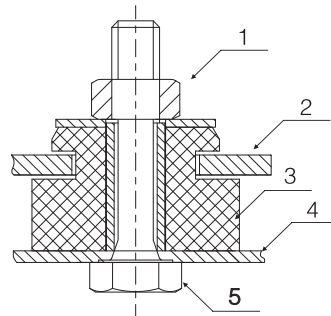
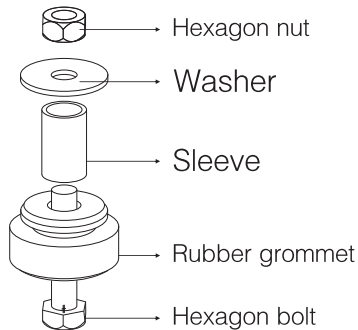


Wiring Diagram:



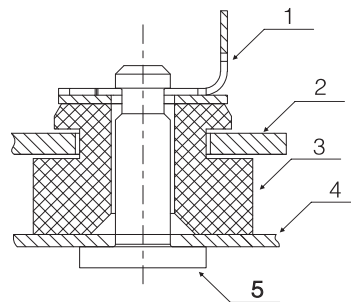
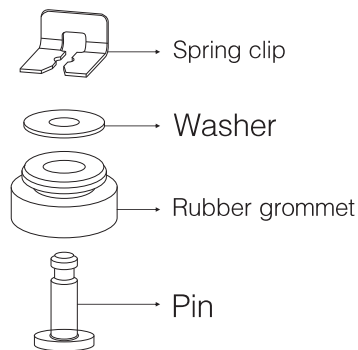
Fixing of Mounting Bracket and Cabinet Base:

01



- ① Hexagon Nut
- ② Mounting Feet
- ③ Rubber Grommet
- ④ Cabinet Floor
- ⑤ Hexagon Bolt

02



- ① Spring clip
- ② Mounting Feet
- ③ Rubber Grommet
- ④ Cabinet Floor
- ⑤ Pin



ZENTECH

— EMPOWERING YOUR LIFE —



SPA ZENTECH

01 Etage Zone Multi activité et stock
Classe 161 GP 71-BBA 34000 Algerie
Tél: +213 560 92 26 75
www.zentech.dz | info@zentech.dz